

# ARTICULATED BEACONS

## GAB-1400 TO GAB-3000



### Custom-made solutions For mooring depth up to 50m

- Watch swing radius close to 0
- Positioning with great accuracy
- Low maintenance (no chain)
- No roll (although it may lean over of some degrees under the action of strong winds and currents)
- Tubular pillar divided into watertight sections assembled by bolted flanges, and hinged on a sinker by a special high duty shackle
- Sub-surface polyethylene float filled with polyurethane (PU) foam
- Cathodic protection against corrosion
- 360° rungs for an easy access to the equipment (working platform as an option)

#### FLOAT CHARACTERISTICS

- From 1.4 to 3.0m diameter
- 0.8 to 10m<sup>3</sup> volume

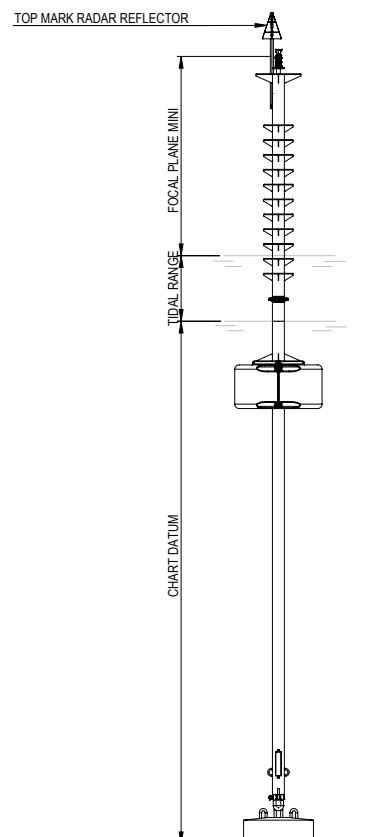
#### ADDITIONAL FEATURES

##### Height and draught

According to mooring depth and site conditions

##### Focal plane (m)

Up to 10



Specifications subject to change or variation without notice - 2020