

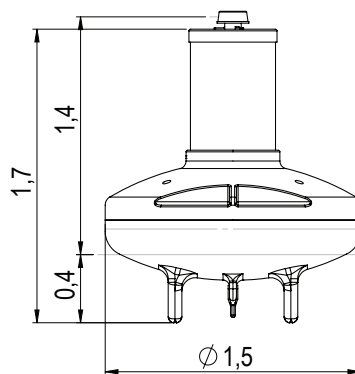
# POLYETHYLENE BUOY

## GBP-1500

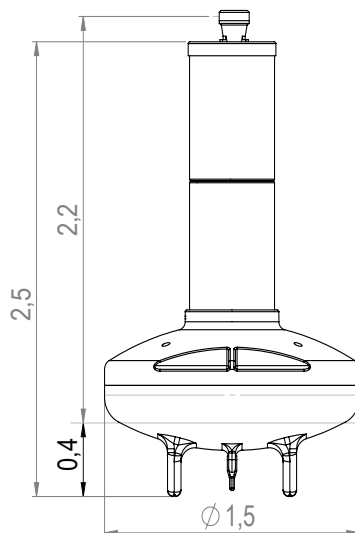


**Diameter: 1.5m**  
**Volume: 0.8m<sup>3</sup>**  
**For inland waterways, shallow waters and fast current areas**

- Single part float in virgin polyethylene, UV stabilised and precompounded to reduce colour ageing, with standard wall thickness 8.5mm, and expanded polystyrene (EPS) foaming
- Twin keel design for fast current zones (up to 7 knots)
- Single (SS) or extended (ES) spar in polyethylene
- Optional reinforced top mark (for SS model only)
- 2 lifting eyes + 1 mooring eye



GBP-1500-SS



GBP-1500-ES

### 1.5M DIAMETER FLOAT

0.8m<sup>3</sup> volume  
 Filled with EPS foam

### ADDITIONAL CHARACTERISTICS

**Reserve buoyancy (m<sup>3</sup>)**  
 0.6

**Focal plane (m)**  
 1.4 or 2.1

**Draught (m)**  
 0.4

**Overall height (m)**  
 1.7 to 2.8

**Ballast (kg)**  
 85

**Total weight (kg)**  
 Approx. 180

**Visibility (m<sup>2</sup>)**  
 1.3 to 1.8

**Recommended mooring**  
 Ø 16mm open link chain

**Recommended lantern**  
 Self-contained LED lantern with range from 1 to 5.5 NM