

POLYETHYLENE BUOY

GBP-900



Diameter: 0.9m
Volume: 0.2m³
For proximity beaconing

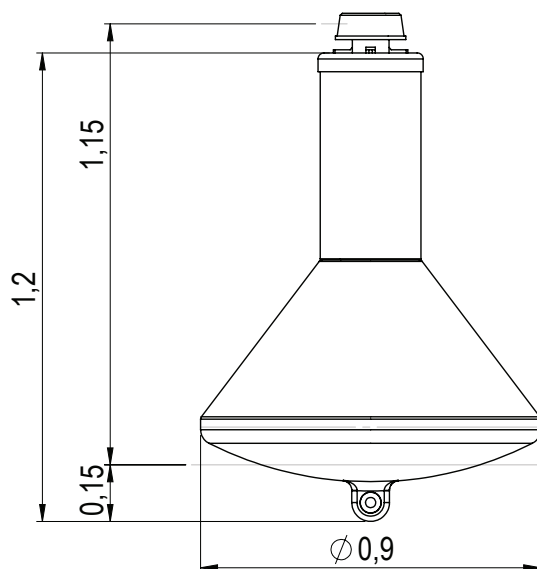
- Single float in virgin polyethylene, UV stabilised and precompounded to reduce colour ageing, with standard wall thickness 7mm
- Expanded polystyrene (EPS) foaming available upon request
- Polyethylene spar
- Equipped with St. Andrew cross (aluminium wings) fitted on the spar for Special Mark

0.9M DIAMETER FLOAT

0.2m³ volume

ADDITIONAL CHARACTERISTICS

Reserve buoyancy (m³)	Total weight (kg)
0.2	Approx. 20
Focal plane (m)	Visibility (m²)
1.15	0.4
Draught (m)	Recommended mooring
0.15	Ø 14mm open link chain
Overall height (m)	Recommended lantern
1.2	Self-contained LED lantern up to 3 NM range



Specifications subject to change or variation without notice - 2020