

# STANDALONE LED LANTERN

## GSA-5 and GSA-8

up to 5 NM+ and 8 NM+



Bluetooth® control



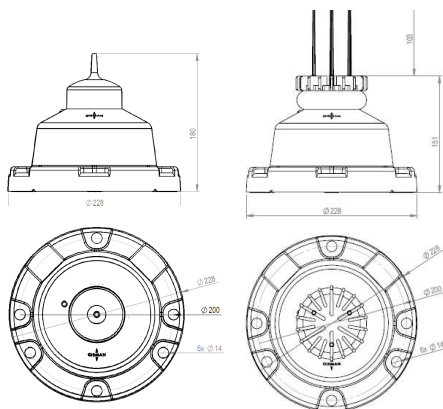
The GSA-5 and GSA-8 are robust and efficient standalone LED lanterns with a range up to 5 NM+ @0.74T for the GSA-5 and up to 8 NM+ @0.74T for the GSA-8.

Benefits include :

- High performances
- Low consumption
- Quick set up and easy to use with GISMAN Bluetooth® application
- Optional A2NGO monitoring cybersecured system
- 3 years warranty
- Service life over 10 years
- IALA compliance to applicable recommendations

### Technical Features

- Vertical divergence : GSA-5 > 7° @ 50%, GSA-8 > 9° @ 50%
- Colors: white, red, green and yellow
- Programmable flash characters: 369 + 1 personalized
- Allard correction for short flash characters
- Adjustable range
- Adjustable ambient light levels
- Bluetooth® programming and communication module



### OPTICAL PERFORMANCES\*

GSA-5	White	Red	Green	Yellow
Intensity I <sub>max</sub> (Cd)	130	81	93	53
Range (NM) @0,74T	3 to 5 MN+			
Range (NM) @0,85T	3 to 7.8 MN+			

GSA-8	Blanc	Rouge	Vert	Jaune
Intensity I <sub>max</sub> (Cd)	1180	567	703	386
Range (NM) @0,74T	5 to 8 MN+			
Range (NM) @0,85T	5 to 14 MN+			

\*Intensity may vary with manufacturing tolerances.

### MATERIALS

Lens:  
 - GSA-5: polycarbonate - UV stabilized  
 - GSA-8: acrylic (PPMA)  
 Lantern body: polycarbonate - UV stabilized  
 Heat exchanger: anodized aluminium

### GSA SUPPLY VOLTAGE

12V

### CERTIFICATION AND TESTS

European Community: Directive 2014/53/UE  
 IALA: R0201 compliance of the colors  
 ISO Certification 9001-2015  
 Ingress protection: IP 68 - IEC 60529  
 Cybersecurity: NIST 800  
 Vibration: MIL STD 202G  
 Shock: MIL STD 202G  
 Thermal shock: IEC 60945  
 Salt fog: IEC 60945

### WEIGHT

GSA-5: 0,6 kg / GSA-8 : 0,7 kg

### MOUNTING

3 or 4 screws M10 on Ø200mm

### TEMPERATURES RANGE

From - 40 °C/-40 °F to + 65 °C/149 °F

### Available options



GPS synchronization



Default light alarm output or AIS connectivity

### Monitoring Communication options



Satellite



GSM



SIGFOX

### How to order your lantern?

Compose your order code in only 4 steps, which will look like: GSA-[V]-[C]-[OPT]-[MONIT]

1. Type the lantern **reference**: GSA-5 or GSA-8
2. Choose the **color** of the light: W (White), R (Red), G (Green) or Y (Yellow)
3. Select one or more of the available **options**:  
 - GPS: GS  
 - Alarm: AL or ALAIS
4. Choose one **monitoring communication option**:  
 SAT (Satellite), GSM (GSM) or SGFOX (SigFox).

Order code example: GSA-5-W-GS-SAT.

You get your order code! You can place your order by email to support@gisman.fr or by phone.