

SELF-CONTAINED LED LANTERN

GSC-7-SS or -MS

4 to 8 NM+



Bluetooth® control



GSC-7-SS



GSC-7-MS

The GSC-7 is a robust self-contained LED lantern with a range up to 8 NM+ @0.74T.

Benefits include :

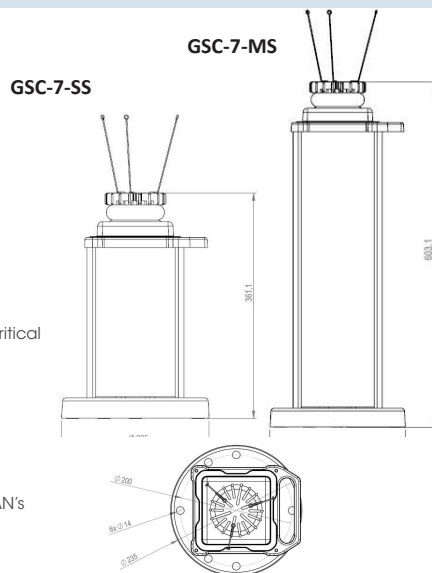
- 2 chassis size configurations (SS or MS) for larger battery capacity and extended solar charging capacity
- High autonomy thanks to low consumption LED technology
- Quick set up and easy to use with GISMAN Bluetooth® application
- High performance in extreme weather conditions
- Optional A2NGO monitoring cybersecured system
- 3 years warranty
- Service life over 10 years
- IALA compliance to all applicable recommendations

Technical Features

- Vertical divergence: > 9° @ 50% and 14° @ 10%
- Colors: white, red, green and yellow
- Programmable flash characters: 369 + 1 personalized
- Allard correction for short flash characters
- Adjustable range
- Adjustable ambient light levels
- ON/OFF autonomy management (reduction of intensity if critical battery voltage)
- Bluetooth® programming and communication module

Indicate your location and expected performances on GISMAN's solar calculator online and get all suitable solutions:

<https://calculator.gisman-web.com>



OPTICAL PERFORMANCES*

Colors	White	Red	Green	Yellow
Intensity I _{max} (Cd)	1180	567	703	386
Range (NM) @0.74T	4 to 8 NM+			
Range (NM) @0.85T	4 to 12 NM+			

*Intensity may vary with manufacturing tolerances.

Check the maximum range of your light with the online solar calculator:

<https://calculator.gisman-web.com>

MATERIALS

Coloured base: polycarbonate - UV stabilized
Body: anodized aluminium chassis
Lens: polycarbonate - UV stabilized

POWER SUPPLY

	Monocrystalline Solar Modules	Lead Crystal Deep Cycle Battery (LCB)	Charger
SS version	4 x 4W	12 Ah	MPPT
MS version	4 x 8W	12 Ah or 24 Ah	MPPT

CERTIFICATION & TESTS

European Community: Directive 2014/53/UE
IALA: R0201 compliance of the colors
ISO Certification 9001-2015
Ingress protection: IP 68 - IEC 60529
Cybersecurity: NIST 800
Vibration : MIL STD 202G
Shock: MIL STD 202G
Thermal shock: IEC 60945
Salt fog: IEC 60945

WEIGHT

8.2 kg (SS) / 10.4 kg (MS - 12Ah) / 14.5 kg (MS - 24 Ah)

MOUNTING

3 or 4 screws M10 on Ø200mm

TEMPERATURES RANGE

From - 40 °C/-40 °F to + 65 °C/149 °F

Available options



GPS synchronization



Charging Port



Default light alarm output or AIS connectivity



ON/OFF Switch Storage

Monitoring Communication options



Satellite



GSM



SIGFOX

How to order your lantern?

Compose your order code in only 5 steps, which will look like GSC-7-[V]-[C]-[BATT]-[OPT]-[MONIT]

1. Choose your **version** of lantern: SS or MS
2. Choose the **color** of the light: W (White), R (Red), G (Green) or Y (Yellow)
3. Choose the type of **battery**: 12AHLCB or 24AHLCB
4. Select one or more of the available **options**:
- GPS: GS
- Charging Port: CP
- Switch: SW
- Alarm: AL or ALAIS
5. Choose one **monitoring communication option**: SAT (Satellite), GSM (GSM) or SIGFOX (SigFox).

Order code example: GSC-7-SS-R-12AHLCB-GS-AL-GSM.

You get your order code! You can place your order by email to support@gisman.fr or by phone.

Complementary items available on request:

- IR remote programmer
- Anti-vandal screw kit + screwdriver
- External battery charger